



FILTRATION TECHNOLOGY

2003

STAUFF



Medium Pressure Filters SMPF

**Quality and Service
Worldwide**



Medium Pressure Filter SMPF

Australia

Stauff Corporation (Pty.) Ltd.
P.O.Box 227 , 24-26 Doyle Avenue,
Unanderra Wollongong , N.S.W
2526 AUSTRALIA
Tel: +61 2 42 71 18 77
Fax: +61 2 42 71 84 32

Brazil

Stauff Brasil Ltda.
Av. Gupê 10767
Galpão 2 – Bloco A
Barueri – São Paulo – CEP 06422-120, BRAZIL
Tel: +55 (0)11-4789-9020
Fax: +55 (0)11-4789-9021

Canada

Stauff Canada Ltd.
866 Milner Avenue
Scarborough , Ontário M1B 5N7 , CANADA
Tel: +1 416 282 46 08
Fax: +1 416 282 30 39

China

Stauff International Trading (Shanghai) Co., Ltd.
Shangdian Mansion, Pudong
331 , Binzhou Road
200126 Shanghai, CHINA
Tel: +86 21 58 45 65 60
Fax: +86 21 58 45 66 80

France

Stauff S.A.
Z.I. de Vineuil-Blois Sud
230, Avenue du Grain d'Or
41354 Vineuil-cedex, FRANCE
Tel: +33 2 54 50 55 50
Fax: +33 2 54 42 29 19

India

Stauff India Pvt. Ltd.
Gat. No. 2340,
Pune-Nagar Road, Wagholi, INDIA
IND-Pune - 412027
Tel: +91 20 705 19 90
Fax: +91 20 705 19 89

Italy

Stauff Italia S.R.L.
Via Pola 21/23, I-20034
Birone di Giussano, ITALY
Tel: +39 0362 31 21 13
Fax: +39 0362 33 55 36

New Zealand

Stauff Corporation (NZ) Ltd.
Unit J. 150 Harris Road, P.O. Box 58517
Greenmount Auckland-NEW ZEALAND
Tel: +64 9 271 4812
Fax: +64 9 271 4832

United Kingdom

Stauff UK Ltd.
332, Coleford Road Darnall
Sheffield, S 9 5 P H, ENGLAND
Tel: +44 1142 518 518
Fax: +44 1142 518 519

USA

Stauff Corporation
7 Wm. Demarest Place
Waldwick, NJ – 07463, USA
Tel: +1 201 444 78 00
Fax: +1 201 444 78 52

Walter Stauffenberg GmbH & Co. KG

P. O. Box 1745 · D-58777 Werdohl
Im Ehrenfeld 4 · D-58791 Werdohl
Tel.: +49 (0) 23 92 9 16-0
Fax: +49 (0) 23 92 25 05
E-mail: sales@stauff.com
Internet: <http://www.stauff.com>

Stauff Filtration Technology

Stauff Filtration Technology offers a complete range of filtration products and services that will provide the system designer or user with the highest level of contamination control demanded by today's most sophisticated applications. Products include pressure filters, return line filters, elements, spin on filters suction strainers, and filler breathers for various hydraulic, lubrication and fuel oils.

Stauff has the technical expertise to provide superior filter element designs for the Stauff original filter housings and also for the interchange element market. Stauff manufactures more than 10,000 different elements. Many of these are designed to fit into filter housings produced by other companies while maintaining or surpassing the original performance.

The "Stauff Contamination Control Program" includes the diagnostic services including fluid sampling and laser particle counting products needed to monitor the system contamination level.

Stauff, through its global network of wholly owned companies and technically qualified distributors, is ideally placed to assist its customers in the total contamination process providing a well balanced filtration solution.

Medium Pressure Filter SMPF

Page

Technical Data	3
Dimensions	4
Clogging Indicators	5
Ordering Code	6
Flow characteristics	7

**Distributors and warehouses
in all industrial countries.**

Technical Data

STAUFF SMPF series medium pressure filters are designed for in-line hydraulic applications with a maximum operating pressure of 110 bar (1600 PSI). Used together with STAUFF filter elements, a high efficiency of contaminant removal is assured.

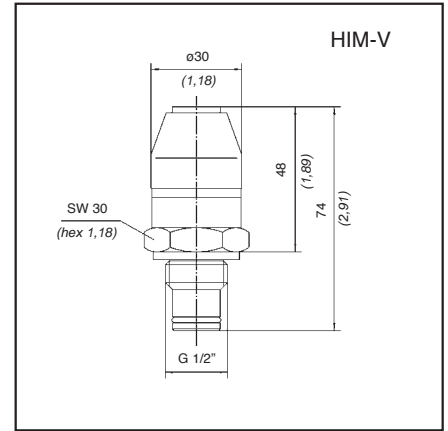


Technical Specification

Construction	In-line assembly	By-pass valve	Allows unfiltered oil to by-pass the contaminated element once the opening pressure has been reached
Filter base and cap	Aluminium alloy	By-pass setting	6 bar (87 PSI)
Element case	Aluminium alloy	Clogging indicators	Visual, 5 bar (72 PSI) actuating pressure Electrical, 5 bar (72 PSI) actuating pressure
Seals	O-Rings NBR (Buna-N®)	Filter elements	Flow characteristics see page 7
Port connections	BSP, SAE "O"-Ring thread	Media	Mineral oils, other fluids on request
Flow rating	up to 90 l/min (25 US GPM) for 32 cSt (150 SUS) fluids		
Operating pressure	max 110 bar (1600 PSI)		
Test pressure	200 bar (2900 PSI)		
Temperature range	-25°C to +110°C (-13°F to +230°F)		

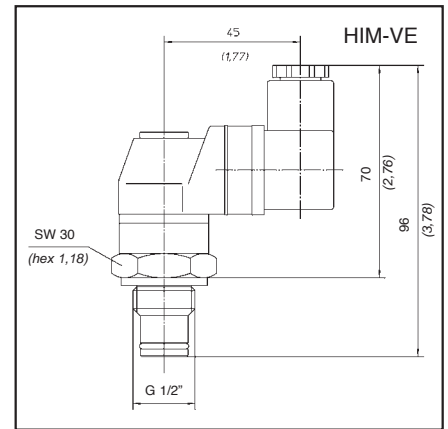
1. Visual clogging indicator

Part number HIM-V is a clogging indicator actuated by the differential pressure across the filter element. The actuating pressure of 5 bar (72 PSI) allows the dirty element to be changed before the by-pass setting of 6 bar (87 PSI) is reached.



2. Visual-Electrical clogging indicator

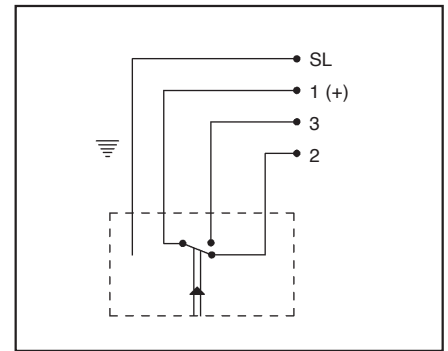
Part number HIM-VE is used when an electrical signal is needed to indicate when the element needs changing. It is actuated by the differential pressure across the filter element. The actuating pressure of 5 bar (72 PSI) allows the dirty element to be changed before the by-pass setting of 6 bar (87 PSI) is reached.



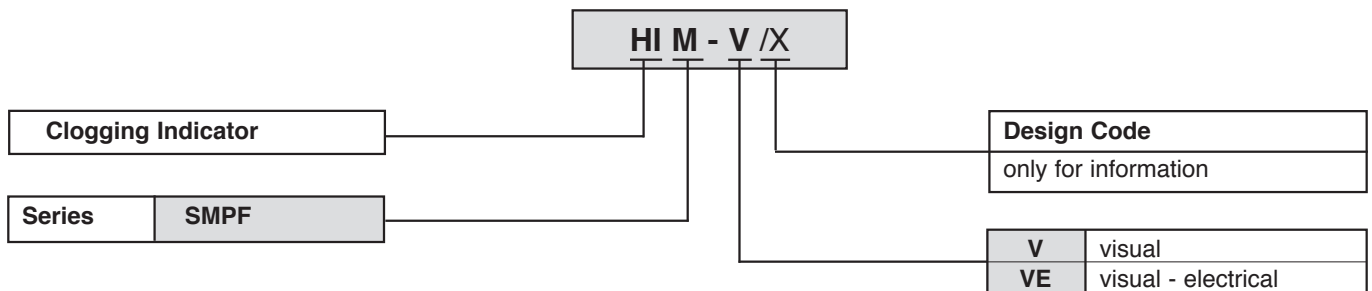
HIM-VE Rated capacity

Voltage V	Resistive Load Amps	Inductive Load Amps
125 VAC	5	5
250 VAC	5	5
15 VAC	10	10
30 VDC	5	5
50 VDC	1	1
125 VDC	0.5	0.06

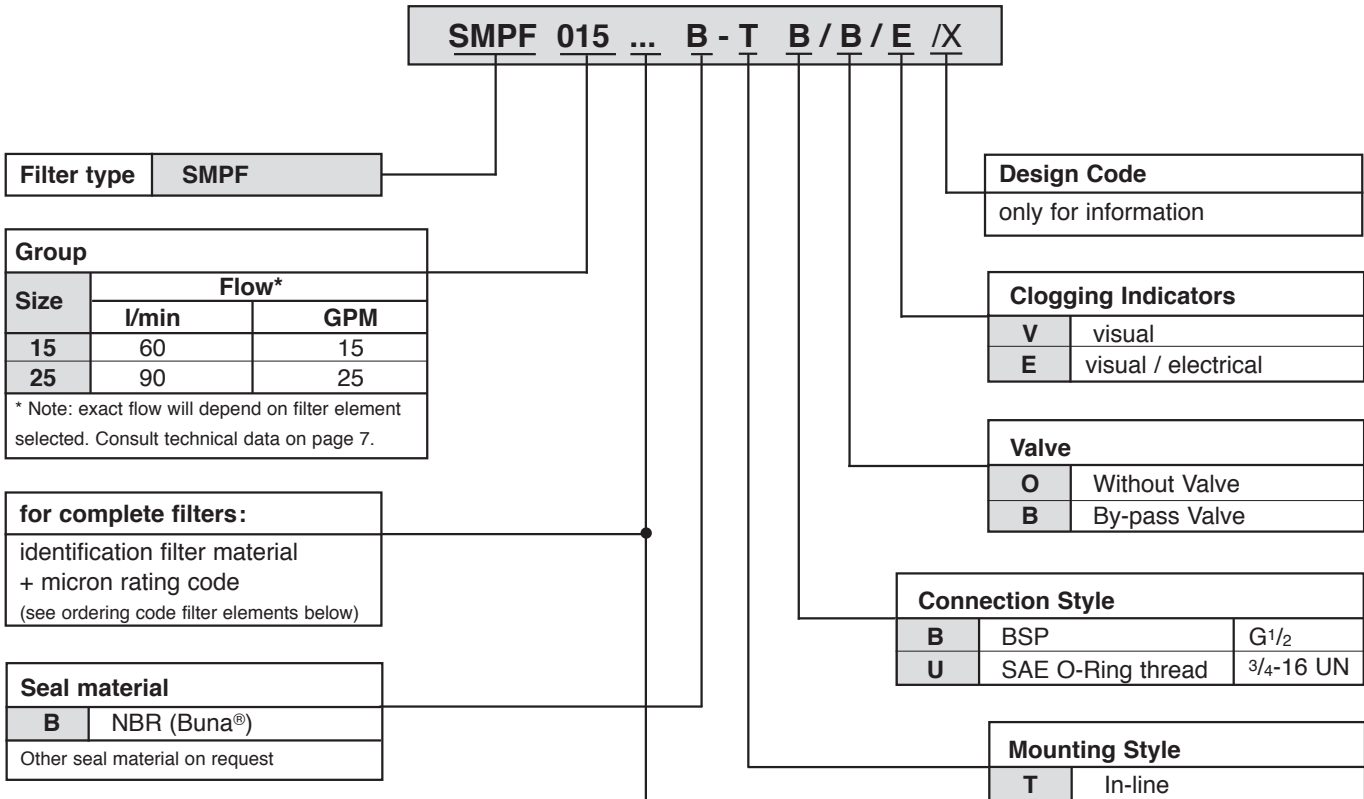
HIM-VE Wiring diagram



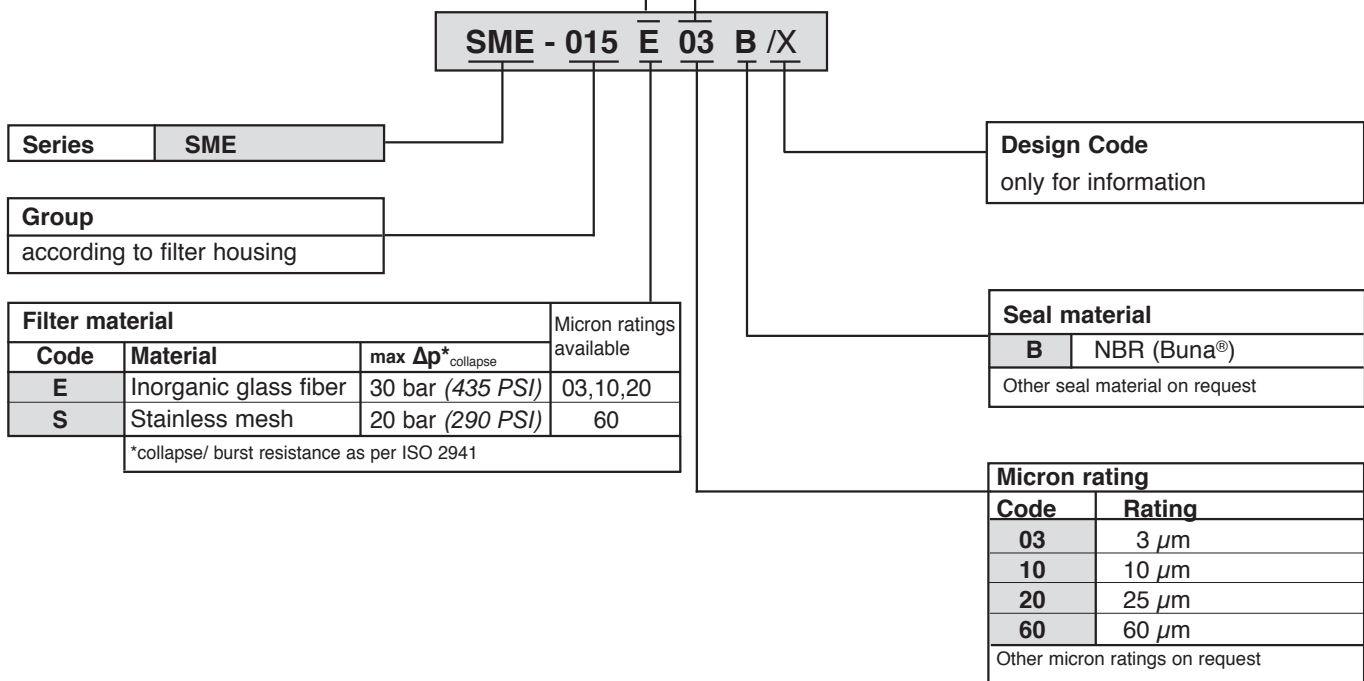
Ordering Code



Ordering Code Filter Housings

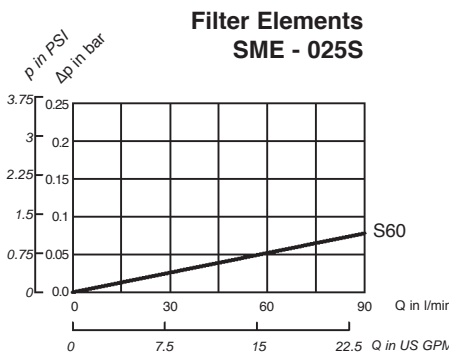
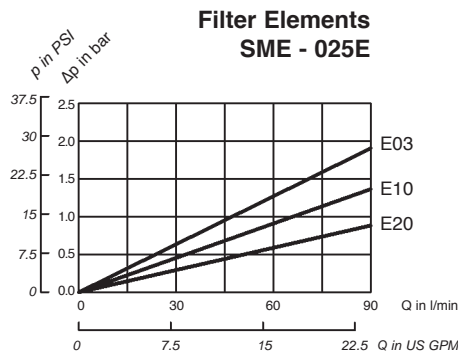
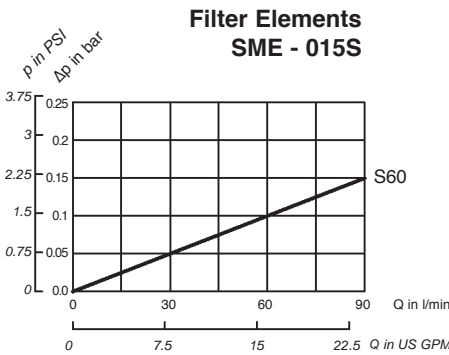
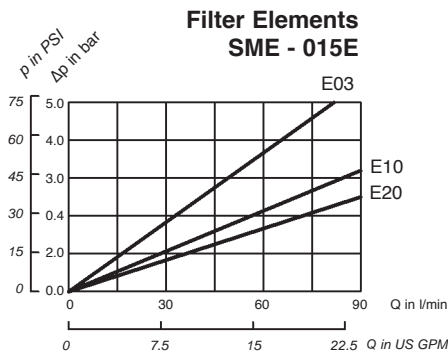
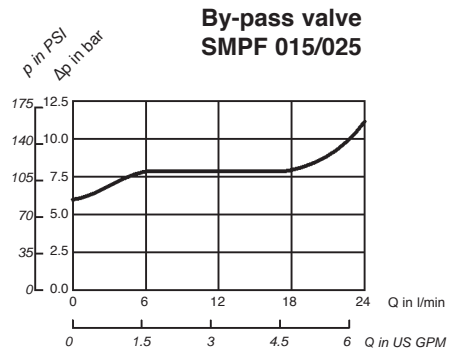
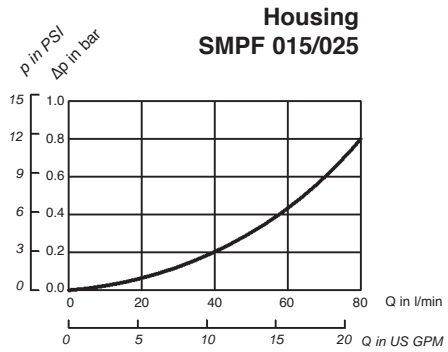


Ordering Code Filter Elements



Flow Characteristics of Medium Pressure Filters

The following characteristics are valid for mineral oils with a density of 0,85 kg/dm³ and the kinematic viscosity of 30 mm²/s. The characteristics have been determined in accordance to ISO 3968.



THIS IS STAUFF

RESPONSE AND FLEXIBILITY • COMPETENT SERVICE • PROMPT DELIVERY •
ENSURED QUALITY • FRIENDLY SERVICE • PROVEN IN PRACTICE



Australia
Stauff Corporation (Pty.) Ltd.
P.O.Box 227 , 24-26 Doyle Avenue,
Unanderra Wollongong , N.S.W
2526 AUSTRALIA
Tel: +61 2 42 71 18 77
Fax: +61 2 42 71 84 32



Brazil
Stauff Brasil Ltda.
Av. Gupê 10767
Galpão 2 – Bloco A
Barueri – São Paulo – CEP 06422-120, BRAZIL
Tel: +55 (0)11-4789-9020
Fax: +55 (0)11-4789-9021



Canada
Stauff Canada Ltd.
866 Milner Avenue
Scarborough , Ontario M1B 5N7 , CANADA
Tel: +1 416 282 46 08
Fax: +1 416 282 30 39



China
Stauff International Trading (Shanghai) Co., Ltd.
Shangdian Mansion, Pudong
331 , Binzhou Road
200126 Shanghai, CHINA
Tel: +86 21 58 45 65 60
Fax: +86 21 58 45 66 80



France
Stauff S.A.
Z.I. de Vineuil-Blais Sud
230, Avenue du Grain d'Or
41354 Vineuil-cedex, FRANCE
Tel: +33 2 54 50 55 50
Fax: +33 2 54 42 29 19



Germany
Walter Stauffenberg GmbH & Co. KG
P.O. Box 1745,
D-58777 Werdohl, GERMANY
Tel: +49 (0) 23 92/916-0
Fax: +49 (0) 23 92 25 05



India
Stauff India Pvt. Ltd.
Gat. No. 2340
Pune-Nagar Road, Wagholi
IND-Pune - 412027
Tel: +91 20 705 19 90
Fax: +91 20 705 19 89



Italy
Stauff Italia S.R.L.
Via Pola 21/23
I-20034 Birone di Giussano
Tel: +39 0362 31 21 13
Fax: +39 0362 33 55 36



New Zealand
Stauff Corporation (NZ) Ltd.
Unit J, 150 Harris Road, P.O. Box 58517
Greenmount Auckland-NEW ZEALAND
Tel: +64 9 271 4812
Fax: +64 9 271 4832

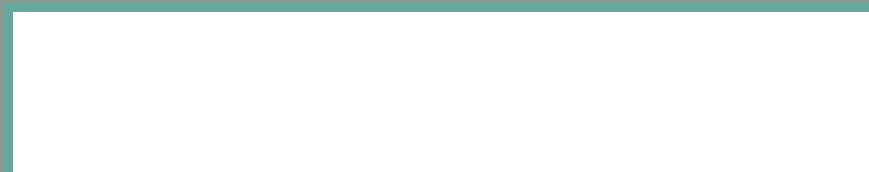


United Kingdom
Stauff UK Ltd.
332, Coleford Road Darnall
Sheffield, S 9 5 P H, ENGLAND
Tel: +44 1142 518 518
Fax: +44 1142 518 519



USA
Stauff Corporation
7 Wm. Demarest Place
Waldwick, NJ – 07463, USA
Tel: +1 201 444 78 00
Fax: +1 201 444 78 52

Globally available through distributors in all industrial countries



2003

STAUFF