



FILTRATION TECHNOLOGY

2003

STAUFF



**Pressure Filters SIF48**

**Quality and Service  
Worldwide**



**Australia**  
Stauff Corporation (Pty.) Ltd.  
P.O.Box 227 , 24-26 Doyle Avenue,  
Unanderra Wollongong , N.S.W  
2526 AUSTRALIA  
Tel: +61 2 42 71 18 77  
Fax: +61 2 42 71 84 32

**Brazil**  
Stauff Brasil Ltda.  
Av. Gupê 10767  
Galpão 2 – Bloco A  
Barueri – São Paulo – CEP 06422-120, BRAZIL  
Tel: +55 (0)11-4789-9020  
Fax: +55 (0)11-4789-9021

**Canada**  
Stauff Canada Ltd.  
866 Milner Avenue  
Scarborough , Ontario M1B 5N7 , CANADA  
Tel: +1 416 282 46 08  
Fax: +1 416 282 30 39

**China**  
Stauff International Trading (Shanghai) Co., Ltd.  
Shangdian Mansion, Pudong  
331 , Binzhou Road  
200126 Shanghai, CHINA  
Tel: +86 21 58 45 65 60  
Fax: +86 21 58 45 66 80

**France**  
Stauff S.A.  
Z.I. de Vineuil-Blois Sud  
230, Avenue du Grain d'Or  
41354 Vineuil-cedex, FRANCE  
Tel: +33 2 54 50 55 50  
Fax: +33 2 54 42 29 19

**India**  
Stauff India Pvt. Ltd.  
Gat. No. 2340,  
Pune-Nagar Road, Wagholi, INDIA  
IND-Pune - 412027  
Tel: +91 20 705 19 90  
Fax: +91 20 705 19 89

**Italy**  
Stauff Italia S.R.L.  
Via Pola 21/23, I-20034  
Birone di Giussano, ITALY  
Tel: +39 0362 31 21 13  
Fax: +39 0362 33 55 36

**New Zealand**  
Stauff Corporation (NZ) Ltd.  
Unit J. 150 Harris Road, P.O. Box 58517  
Greenmount Auckland-NEW ZEALAND  
Tel: +64 9 271 4812  
Fax: +64 9 271 4832

**United Kingdom**  
Stauff UK Ltd.  
332, Coleford Road Darnall  
Sheffield, S 9 5 P H, ENGLAND  
Tel: +44 1142 518 518  
Fax: +44 1142 518 519

**USA**  
Stauff Corporation  
7 Wm. Demarest Place  
Waldwick, NJ – 07463, USA  
Tel: +1 201 444 78 00  
Fax: +1 201 444 78 52

**Distributors and warehouses  
in all industrial countries.**

## Walter Stauffenberg GmbH & Co. KG

P. O. Box 1745 · D-58777 Werdohl  
Im Ehrenfeld 4 · D-58791 Werdohl  
Tel.: +49 (0) 23 92 9 16-0  
Fax: +49 (0) 23 92 25 05  
E-mail: sales@stauff.com  
Internet: http://www.stauff.com

### Stauff Filtration Technology

Stauff Filtration Technology offers a complete range of filtration products and services that will provide the system designer or user with the highest level of contamination control demanded by today's most sophisticated applications. Products include pressure filters, return line filters, elements, spin on filters suction strainers, and filler breathers for various hydraulic, lubrication and fuel oils.

Stauff has the technical expertise to provide superior filter element designs for the Stauff original filter housings and also for the interchange element market. Stauff manufactures more than 10,000 different elements. Many of these are designed to fit into filter housings produced by other companies while maintaining or surpassing the original performance.

The "Stauff Contamination Control Program" includes the diagnostic services including fluid sampling and laser particle counting products needed to monitor the system contamination level.

Stauff, through its global network of wholly owned companies and technically qualified distributors, is ideally placed to assist its customers in the total contamination process providing a well balanced filtration solution.

### Pressure Filter SIF48

	Page
Technical Data	3
Dimensions	4
Clogging Indicators	5
Ordering Code	6
Flow characteristics	7

## Technical Data

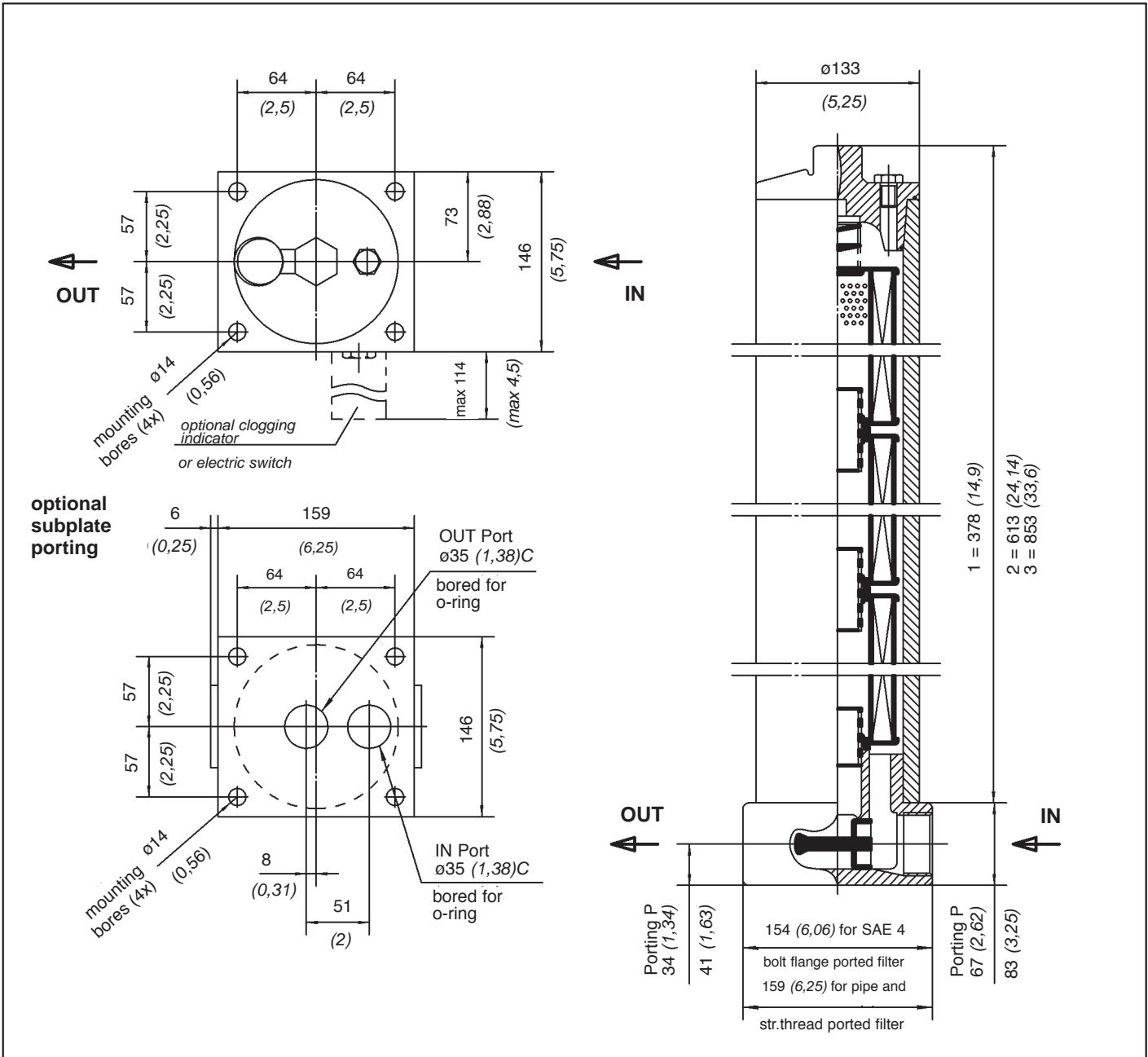
STAUFF SIF48 series pressure filters are designed for in-line hydraulic applications with a maximum operating pressure of 345 bar (5000 PSI). The element is changed from the top, which minimizes oil spillage. **The SIF48 series pressure filter meets the HF4 Automotive Standard.**



## Technical Specification

Construction	In-line assembly, top loading, base mounted	Temperature range	-29°C to +107°C (-20°F to +225°F)
Filter base and cap	Ductile iron	By-pass valve	Allows unfiltered oil to by-pass the contaminated element once the opening pressure has been reached
Element case	Steel	By-pass setting	2.8 bar (40 PSI)
Seals	O-Rings NBR (Buna-N®) FPM (Viton®)	Clogging indicators	standard actuating pressure 2.8 bar (40 PSI) indicator types: visual, electrical (AC and DC voltage versions)
Port connections	BSP, NPT, SAE "O"-Ring thread or SAE Code 61 flange	Filter elements	Flow characteristics see page 7
Flow rating for	up to 380 l/min (100 US GPM) 32 cSt (150 SUS) fluids with 2" porting, 570 l/min (150 US GPM)	Media	Mineral oils, other fluids on request
Operating pressure	max 345 bar (5000 PSI)		
Burst pressure	min 1035 bar (15000 PSI)		

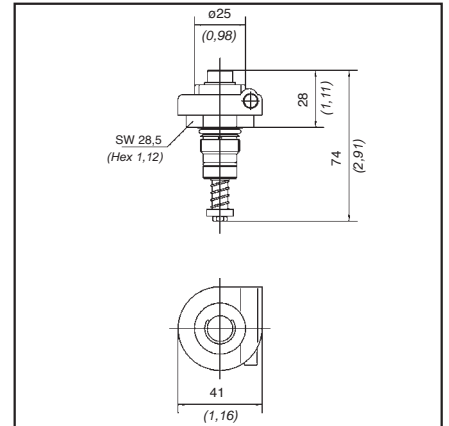
## Dimensions



All dimensions in mm (inch)

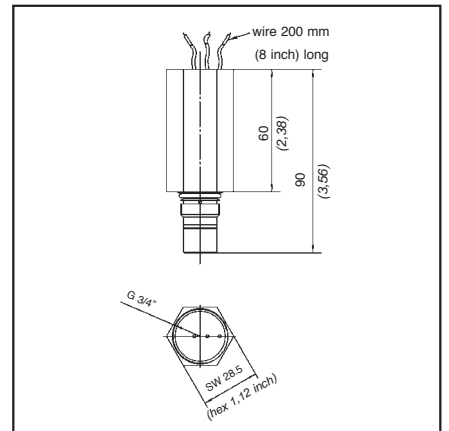
## 1. Visual clogging indicator

Part number HI48-V is a mechanical magnetic cartridge with a highly visible orange disk that pops up at 2.8 bar (40 PSI). Once activated the orange signal continues to indicate a by-pass condition until it is manually reset.



## 2. Electrical clogging indicator

Part number HI48-EAC and HI48-EDC are used when an electrical signal is needed to indicate when the element needs changing. The solid state switch is activated at 2.8 bar (40 PSI). The indicators are supplied with a 200 mm (8 in) long wire leads and are NEMA 4 rated.

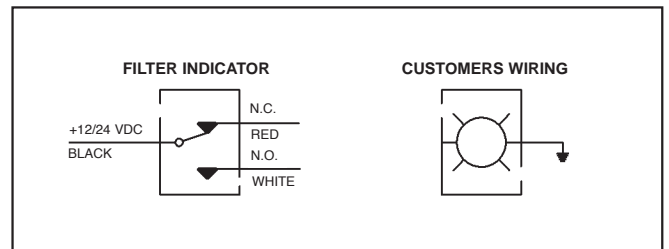
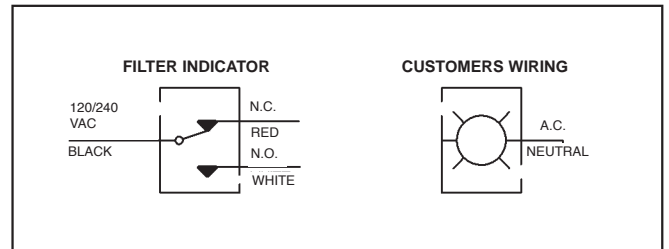


### 2.1 HI48-EAC Ratings

Voltage	max 240 VAC
Wattage	max 720 Watts
Current	0.10 to 6 amps
Contact type	solid state

### 2.2 HI48-VDC Ratings

Voltage	max 100 VDC
Wattage	max 50 Watts
Current	0.01 to 2 amps
Contact type	solid state



## Ordering Code

**HI 48 E AC /X**

Clogging Indicator

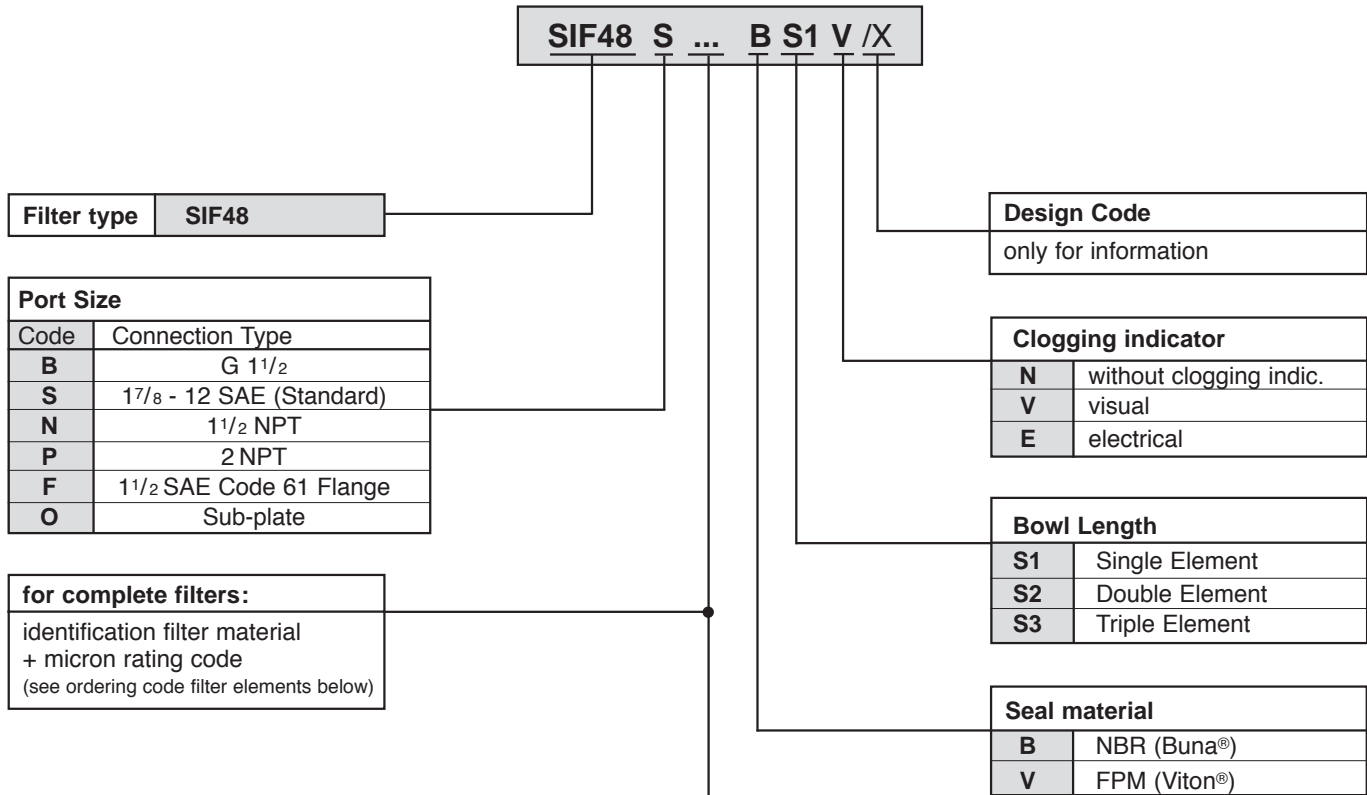
Series **SIF48**

Code	Execution
<b>V</b>	visual
<b>E</b>	electrical

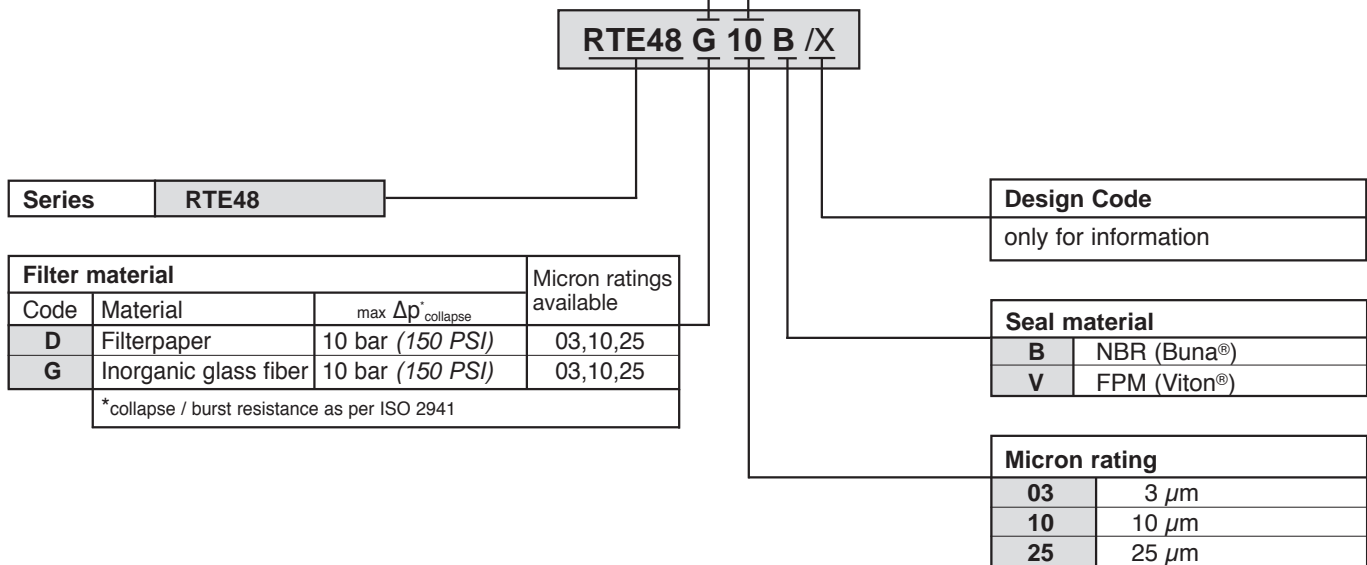
**Design Code**  
only for information

Voltage (only for Code E)	
<b>AC</b>	max 240 VAC
<b>DC</b>	max 100 VDC

## Ordering Code Filter Housings

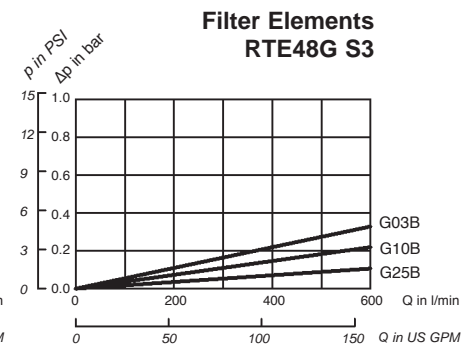
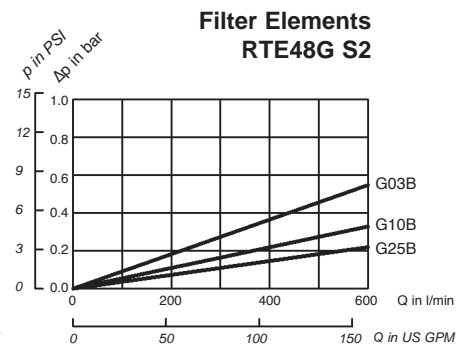
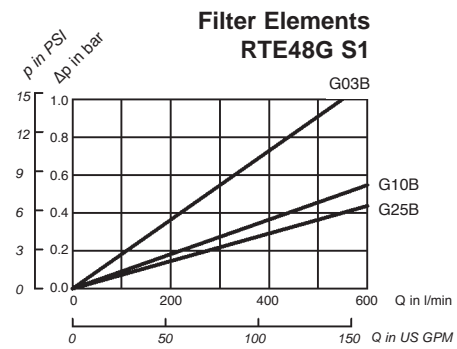
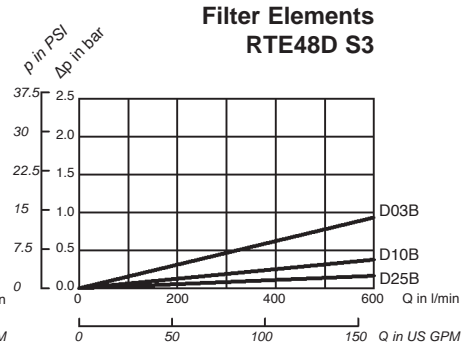
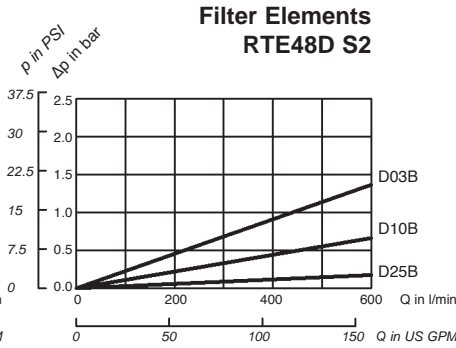
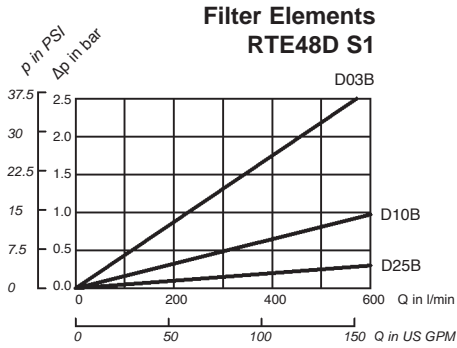
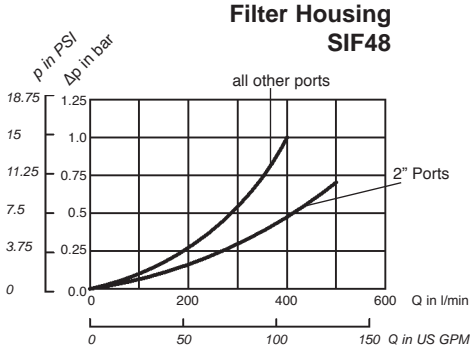


## Ordering Code Filter Elements



## Flow Characteristics

The following characteristics are valid for mineral based fluids with a density of 0,85 kg/dm<sup>3</sup> and the kinematic viscosity of 30 mm<sup>2</sup>/s. The characteristics have been determined in accordance to ISO 3968.



THIS IS STAUFF

RESPONSE AND FLEXIBILITY • COMPETENT SERVICE • PROMPT DELIVERY •  
ENSURED QUALITY • FRIENDLY SERVICE • PROVEN IN PRACTICE



**Australia**  
Stauff Corporation (Pty.) Ltd.  
P.O.Box 227 , 24-26 Doyle Avenue,  
Unanderra Wollongong , N.S.W  
2526 AUSTRALIA  
Tel: +61 2 42 71 18 77  
Fax: +61 2 42 71 84 32



**Brazil**  
Stauff Brasil Ltda.  
Av. Gupê 10767  
Galpão 2 – Bloco A  
Barueri – São Paulo – CEP 06422-120, BRAZIL  
Tel: +55 (0)11-4789-9020  
Fax: +55 (0)11-4789-9021



**Canada**  
Stauff Canada Ltd.  
866 Milner Avenue  
Scarborough , Ontario M1B 5N7 , CANADA  
Tel: +1 416 282 46 08  
Fax: +1 416 282 30 39



**China**  
Stauff International Trading (Shanghai) Co., Ltd.  
Shangdian Mansion, Pudong  
331 , Binzhou Road  
200126 Shanghai, CHINA  
Tel: +86 21 58 45 65 60  
Fax: +86 21 58 45 66 80



**France**  
Stauff S.A.  
Z.I. de Vineuil-Blais Sud  
230, Avenue du Grain d'Or  
41354 Vineuil-cedex, FRANCE  
Tel: +33 2 54 50 55 50  
Fax: +33 2 54 42 29 19



**Germany**  
Walter Stauffenberg GmbH & Co. KG  
P.O. Box 1745,  
D-58777 Werdohl, GERMANY  
Tel: +49 (0) 23 92/916-0  
Fax: +49 (0) 23 92 25 05



**India**  
Stauff India Pvt. Ltd.  
Gat. No. 2340  
Pune-Nagar Road, Wagholi  
IND-Pune - 412027  
Tel: +91 20 705 19 90  
Fax: +91 20 705 19 89



**Italy**  
Stauff Italia S.R.L.  
Via Pola 21/23  
I-20034 Birone di Giussano  
Tel: +39 0362 31 21 13  
Fax: +39 0362 33 55 36



**New Zealand**  
Stauff Corporation (NZ) Ltd.  
Unit J, 150 Harris Road, P.O. Box 58517  
Greenmount Auckland-NEW ZEALAND  
Tel: +64 9 271 4812  
Fax: +64 9 271 4832



**United Kingdom**  
Stauff UK Ltd.  
332, Coleford Road Darnall  
Sheffield, S 9 5 P H, ENGLAND  
Tel: +44 1142 518 518  
Fax: +44 1142 518 519



**USA**  
Stauff Corporation  
7 Wm. Demarest Place  
Waldwick, NJ – 07463, USA  
Tel: +1 201 444 78 00  
Fax: +1 201 444 78 52

Globally available through distributors in all industrial countries



2003

STAUFF