



FILTRATION TECHNOLOGY

2003

STAUFF



Return Line Filters RIF48

**Quality and Service
Worldwide**

**Australia**

Stauff Corporation (Pty.) Ltd.
P.O.Box 227 , 24-26 Doyle Avenue,
Unanderra Wollongong , N.S.W
2526 AUSTRALIA
Tel: +61 2 42 71 18 77
Fax: +61 2 42 71 84 32

Brazil

Stauff Brasil Ltda.
Av. Gupê 10767
Galpão 2 – Bloco A
Barueri – São Paulo – CEP 06422-120, BRAZIL
Tel: +55 (0)11-4789-9020
Fax: +55 (0)11-4789-9021

Canada

Stauff Canada Ltd.
866 Milner Avenue
Scarborough , Ontário M1B 5N7 , CANADA
Tel: +1 416 282 46 08
Fax: +1 416 282 30 39

China

Stauff International Trading (Shanghai) Co., Ltd.
Shangdian Mansion, Pudong
331 , Binzhou Road
200126 Shanghai, CHINA
Tel: +86 21 58 45 65 60
Fax: +86 21 58 45 66 80

France

Stauff S.A.
Z.I. de Vineuil-Blois Sud
230, Avenue du Grain d'Or
41354 Vineuil-cedex, FRANCE
Tel: +33 2 54 50 55 50
Fax: +33 2 54 42 29 19

India

Stauff India Pvt. Ltd.
Gat. No. 2340,
Pune-Nagar Road, Wagholi, INDIA
IND-Pune - 412027
Tel: +91 20 705 19 90
Fax: +91 20 705 19 89

Italy

Stauff Italia S.R.L.
Via Pola 21/23, I-20034
Birone di Giussano, ITALY
Tel: +39 0362 31 21 13
Fax: +39 0362 33 55 36

New Zealand

Stauff Corporation (NZ) Ltd.
Unit J. 150 Harris Road, P.O. Box 58517
Greenmount Auckland-NEW ZEALAND
Tel: +64 9 271 4812
Fax: +64 9 271 4832

United Kingdom

Stauff UK Ltd.
332, Coleford Road Darnall
Sheffield, S 9 5 P H, ENGLAND
Tel: +44 1142 518 518
Fax: +44 1142 518 519

USA

Stauff Corporation
7 Wm. Demarest Place
Waldwick, NJ – 07463, USA
Tel: +1 201 444 78 00
Fax: +1 201 444 78 52

Walter Stauffenberg GmbH & Co. KG

P. O. Box 1745 · D-58777 Werdohl
Im Ehrenfeld 4 · D-58791 Werdohl
Tel.: +49 (0) 23 92 9 16-0
Fax: +49 (0) 23 92 25 05
E-mail: sales@stauff.com
Internet: http://www.stauff.com

Stauff Filtration Technology

Stauff Filtration Technology offers a complete range of filtration products and services that will provide the system designer or user with the highest level of contamination control demanded by today's most sophisticated applications. Products include pressure filters, return line filters, elements, spin on filters suction strainers, and filler breathers for various hydraulic, lubrication and fuel oils.

Stauff has the technical expertise to provide superior filter element designs for the Stauff original filter housings and also for the interchange element market. Stauff manufactures more than 10,000 different elements. Many of these are designed to fit into filter housings produced by other companies while maintaining or surpassing the original performance.

The "Stauff Contamination Control Program" includes the diagnostic services including fluid sampling and laser particle counting products needed to monitor the system contamination level.

Stauff, through its global network of wholly owned companies and technically qualified distributors, is ideally placed to assist its customers in the total contamination process providing a well balanced filtration solution.

Return Line Filter RIF48

Page

Technical Data	3
Dimensions	4
Options	5
Ordering Code	6
Flow characteristics	7

**Distributors and warehouses
in all industrial countries.**

Technical Data

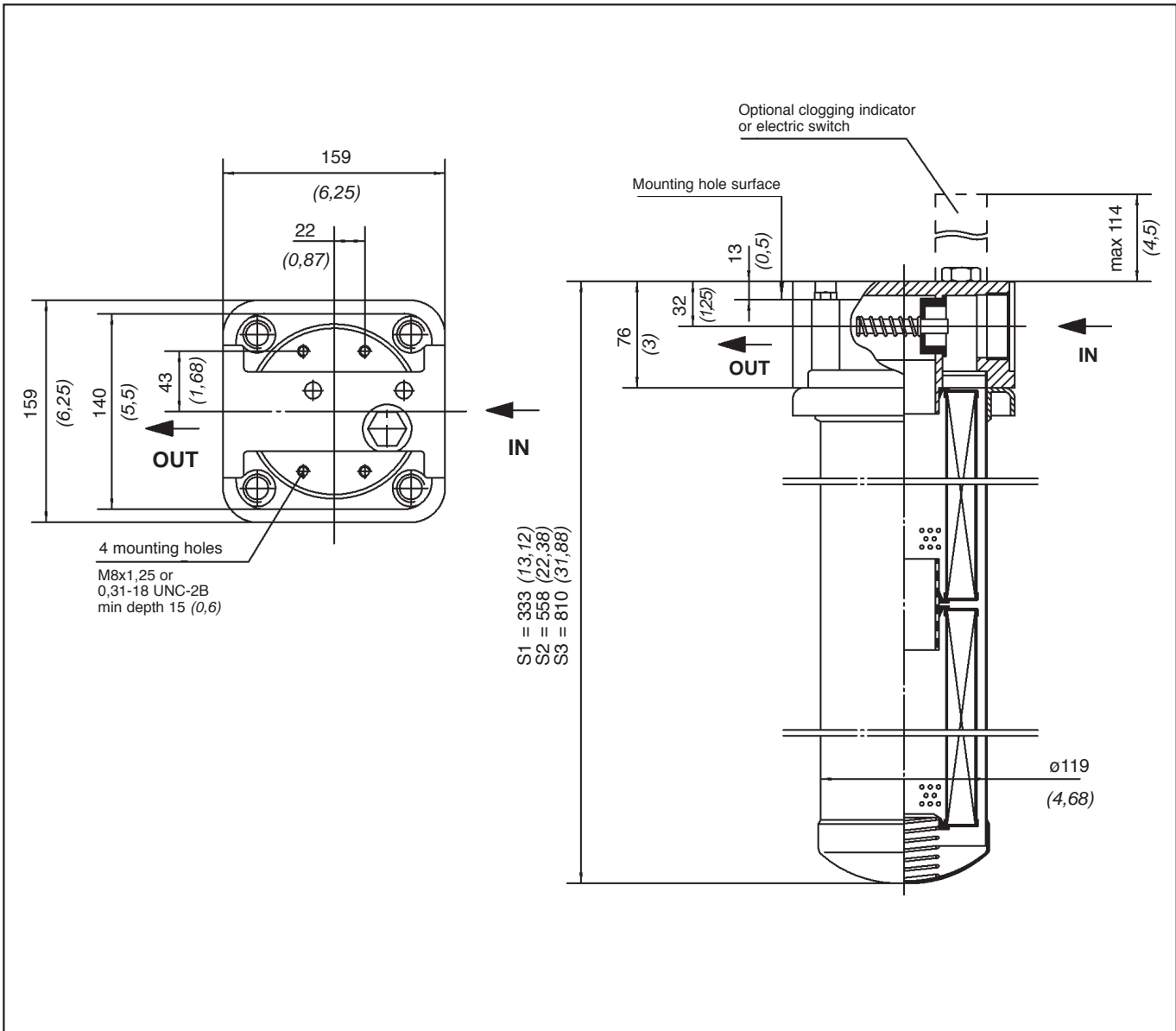
STAUFF RIF48 series return filters are designed for in-line hydraulic applications with a maximum operating pressure of 20 bar (300 PSI). The RIF48 series pressure filter meets the HF4 Automotive Standard.



Technical Specification

Construction	In-line assembly	Temperature range	-29°C to +107°C (-20°F to +225°F)
Filter head	Die cast aluminium	By-pass valve	Allows unfiltered oil to by-pass the contaminated element once the opening pressure has been reached
Element case	Steel	By-pass setting	2.8 bar (40 PSI)
Seals	O-Rings NBR (Buna-N®) FPM (Viton®)	Clogging indicators	standard actuating pressure 2.8 bar (40 PSI) indicators types: visual and electrical (AC and DC voltage versions)
Port connections	BSP, NPT, SAE "O"-Ring thread or SAE Code 61 flange	Filter elements	Flow characteristics see page 7
Flow rating for	up to 380 l/min (100 US GPM) 32 cSt (150 SUS) fluids	Media	Mineral oils, other fluids on request
Operating pressure	max 20 bar (300 PSI)		
Burst pressure	min 70 bar (1000 PSI)		

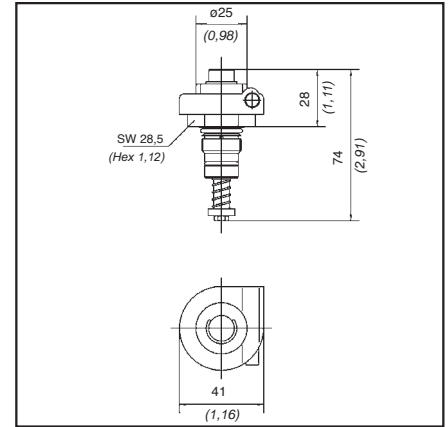
Dimensions



All dimensions in mm (inch)

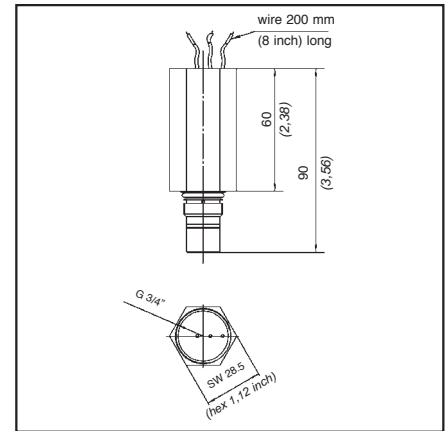
1. Visual clogging indicator

Part number HI48-V is a mechanical magnetic cartridge with a highly visible orange disk that pops up at 2.8 bar (40 PSI). Once activated the orange signal continues to indicate a by-pass condition until it is manually reset.



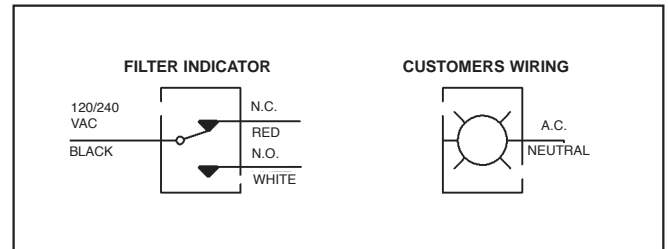
2. Electrical clogging indicator

Part number HI48-EAC and HI48-EDC are used when an electrical signal is needed to indicate when the element needs changing. The solid state switch is activated at 2.8 bar (40 PSI). The indicators are supplied with a 200 mm (8 in) long wire leads and are NEMA 4 rated.



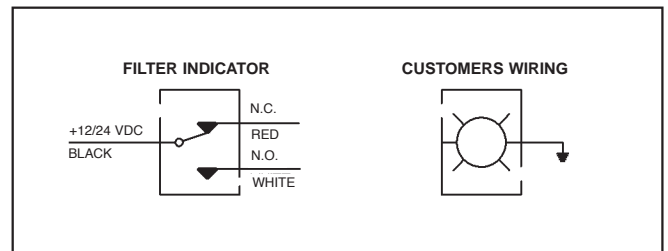
2.1 HI48-EAC Ratings

Voltage	max 240 VAC
Wattage	max 720 Watts
Current	0.10 to 6 amps
Contact type	solid state

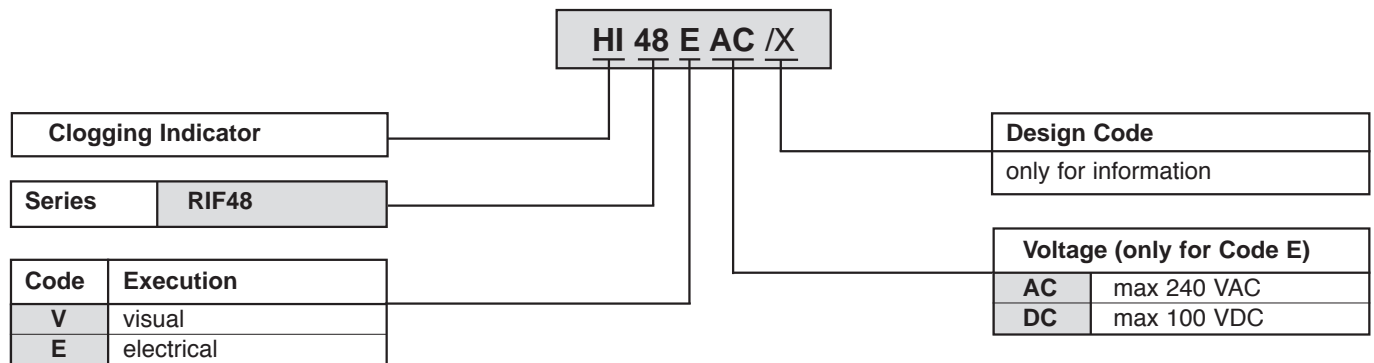


2.2 HI48-VDC Ratings

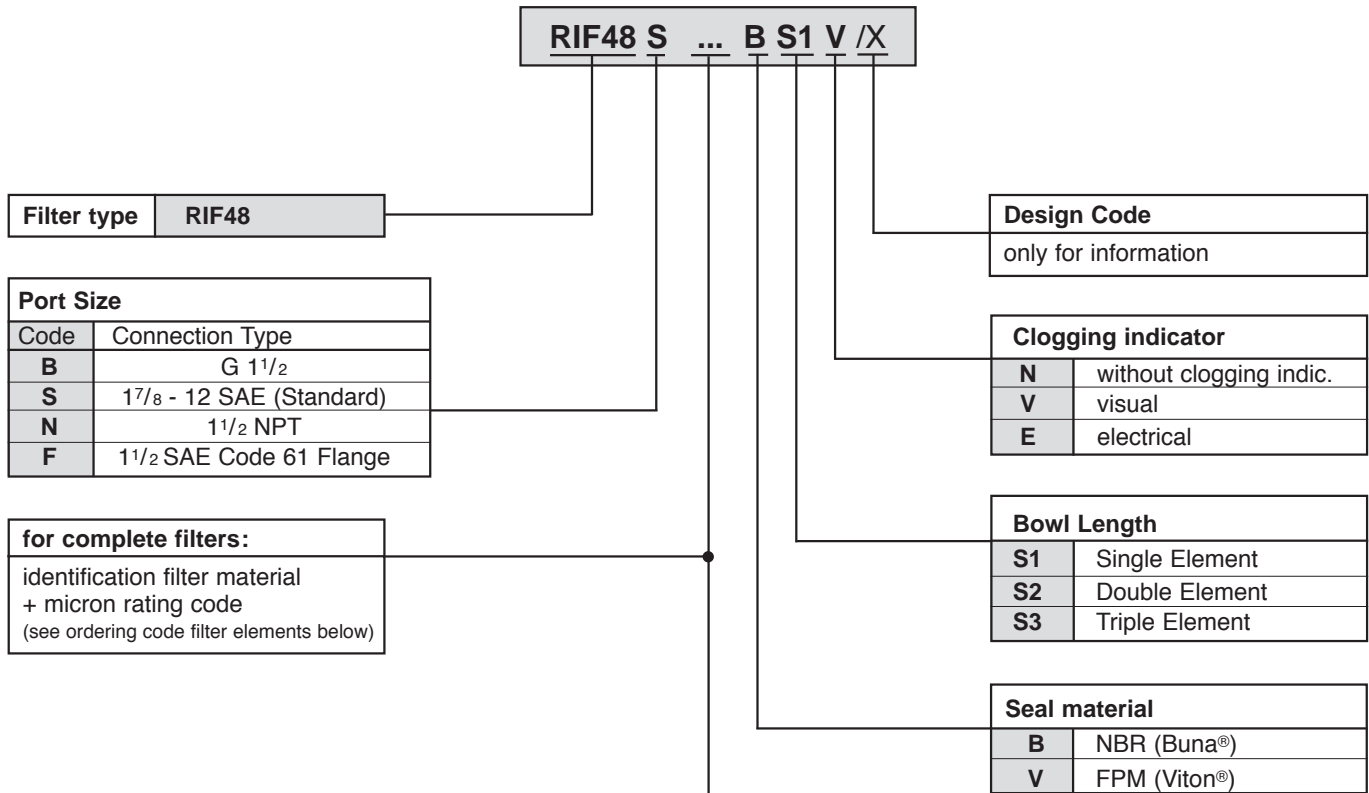
Voltage	max 100 VDC
Wattage	max 50 Watts
Current	0.01 to 2 amps
Contact type	solid state



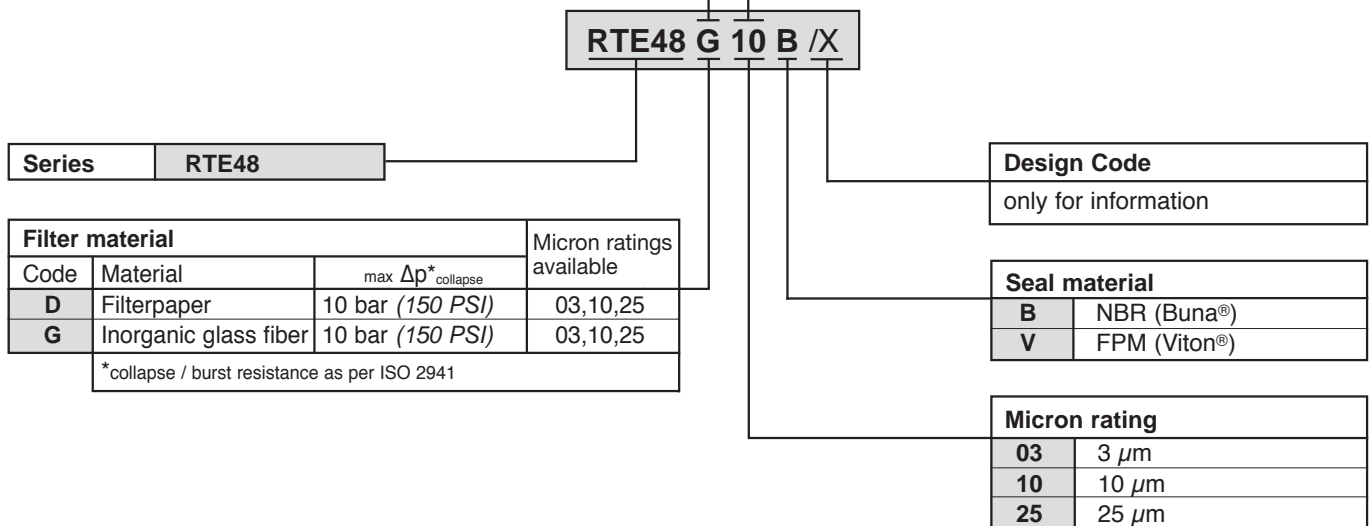
Ordering Code



Ordering Code Filter Housings

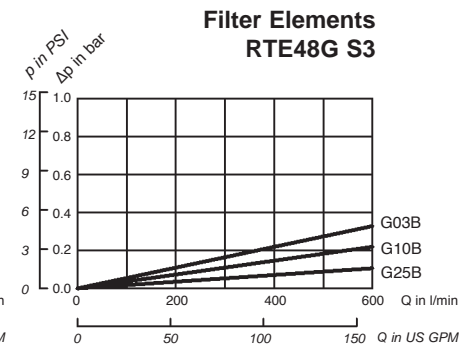
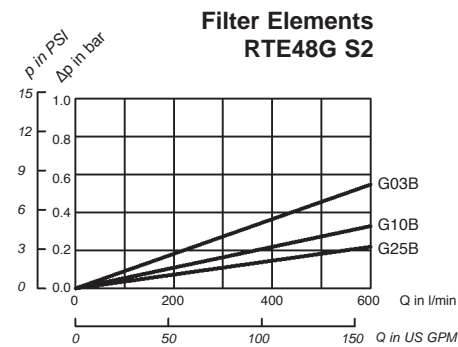
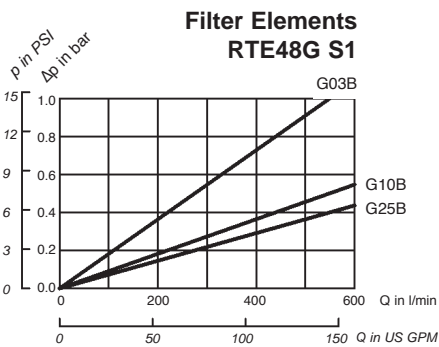
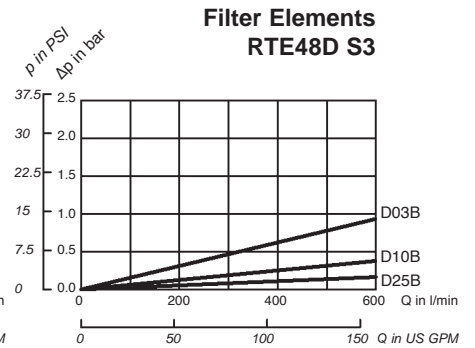
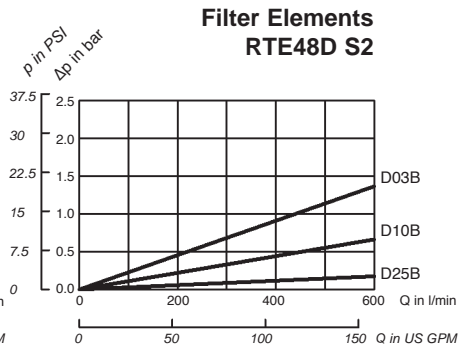
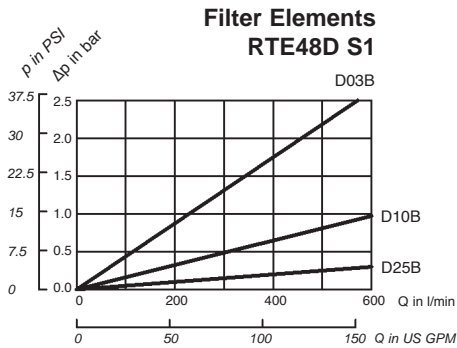
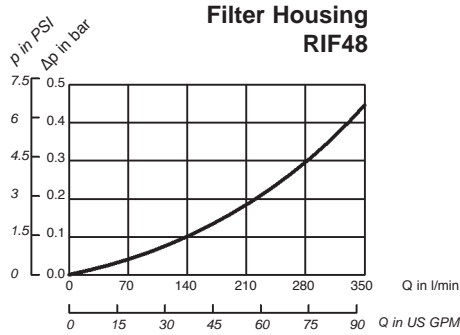


Ordering Code Filter Elements



Flow Characteristics

The following characteristics are valid for mineral based fluids with a density of 0,85 kg/dm³ and the kinematic viscosity of 30 mm²/s. The characteristics have been determined in accordance to ISO 3968.



THIS IS STAUFF

RESPONSE AND FLEXIBILITY • COMPETENT SERVICE • PROMPT DELIVERY •
ENSURED QUALITY • FRIENDLY SERVICE • PROVEN IN PRACTICE



Australia
Stauff Corporation (Pty.) Ltd.
P.O.Box 227 , 24-26 Doyle Avenue,
Unanderra Wollongong , N.S.W
2526 AUSTRALIA
Tel: +61 2 42 71 18 77
Fax: +61 2 42 71 84 32



Brazil
Stauff Brasil Ltda.
Av. Guapé 10767
Galpão 2 – Bloco A
Barueri – São Paulo – CEP 06422-120, BRAZIL
Tel: +55 (0)11-4789-9020
Fax: +55 (0)11-4789-9021



Canada
Stauff Canada Ltd.
866 Milner Avenue
Scarborough , Ontario M1B 5N7 , CANADA
Tel: +1 416 282 46 08
Fax: +1 416 282 30 39



China
Stauff International Trading (Shanghai) Co., Ltd.
Shangdian Mansion, Pudong
331 , Binzhou Road
200126 Shanghai, CHINA
Tel: +86 21 58 45 65 60
Fax: +86 21 58 45 66 80



France
Stauff S.A.
Z.I. de Vineuil-Blois Sud
230, Avenue du Grain d'Or
41354 Vineuil-cedex, FRANCE
Tel: +33 2 54 50 55 50
Fax: +33 2 54 42 29 19



Germany
Walter Stauffenberg GmbH & Co. KG
P.O. Box 1745,
D-58777 Werdohl, GERMANY
Tel: +49 (0) 23 92/916-0
Fax: +49 (0) 23 92 25 05



India
Stauff India Pvt. Ltd.
Gat. No. 2340
Pune-Nagar Road, Wagholi
IND-Pune - 412027
Tel: +91 20 705 19 90
Fax: +91 20 705 19 89



Italy
Stauff Italia S.R.L.
Via Pola 21/23
I-20034 Birone di Giussano
Tel: +39 0362 31 21 13
Fax: +39 0362 33 55 36



New Zealand
Stauff Corporation (NZ) Ltd.
Unit J. 150 Harris Road, P.O. Box 58517
Greenmount Auckland-NEW ZEALAND
Tel: +64 9 271 4812
Fax: +64 9 271 4832

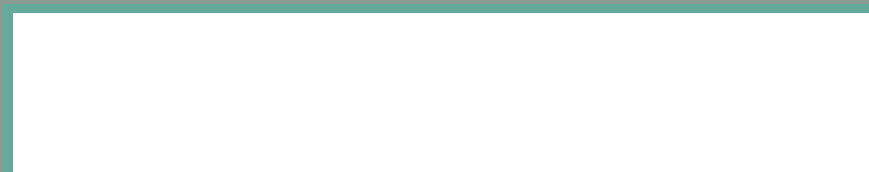


United Kingdom
Stauff UK Ltd.
332, Coleford Road Darnall
Sheffield, S 9 5 P H, ENGLAND
Tel: +44 1142 518 518
Fax: +44 1142 518 519



USA
Stauff Corporation
7 Wm. Demarest Place
Waldwick, NJ – 07463, USA
Tel: +1 201 444 78 00
Fax: +1 201 444 78 52

Globally available through distributors in all industrial countries



2003

STAUFF